




LSLV
iP5A
Fan and Pump AC Drive

0.75~30kW(1~40HP) 3-Phase 200~230V
0.75~450kW(1~700HP) 3-Phase 380~480V
5.5~110kW(7.5~150HP) 3-Phase 525~600V



LSIS

Model & Type



Motor Rating	200~230V Class	380~480V Class	380~480V Class (Classification)	525~600V Class
0.75kW (1HP)	SV008iP5A-2NE	SV008iP5A-4NE		
1.5kW (2HP)	SV015iP5A-2NE	SV015iP5A-4NE		
2.2kW (3HP)	SV022iP5A-2NE	SV022iP5A-4NE		
3.7kW (5HP)	SV037iP5A-2NE	SV037iP5A-4NE		
5.5kW (7.5HP)	SV055iP5A-2NE	SV055iP5A-4NE	SV055iP5A-4NE (CLASS)	SV055iP5A-6
7.5kW (10HP)	SV075iP5A-2NE	SV075iP5A-4NE	SV075iP5A-4NE (CLASS)	SV075iP5A-6
11kW (15HP)	SV110iP5A-2NE	SV110iP5A-4NE	SV110iP5A-4NE (CLASS)	SV110iP5A-6
15kW (20HP)	SV150iP5A-2NO	SV150iP5A-4NO	SV150iP5A-4NOL (CLASS)	SV150iP5A-6
18.5kW (25HP)	SV185iP5A-2NO	SV185iP5A-4NO	SV185iP5A-4NOL (CLASS)	SV185iP5A-6
22kW (30HP)	SV220iP5A-2NO	SV220iP5A-4NO	SV220iP5A-4NOL (CLASS)	SV220iP5A-6
30kW (40HP)	SV300iP5A-2NO	SV300iP5A-4NO	SV300iP5A-4NOL (CLASS)	SV300iP5A-6
37kW (50HP)		SV370iP5A-4O	SV370iP5A-4OL (CLASS)	SV370iP5A 6
45kW (60HP)		SV450iP5A-4O	SV450iP5A-4OL (CLASS)	SV450iP5A-6
55kW (75HP)		SV550iP5A-4O	SV550iP5A-4OL (CLASS)	SV550iP5A-6
75kW (100HP)		SV750iP5A-4O	SV750iP5A-4OL (CLASS)	SV750iP5A-6
90kW (125HP)		SV900iP5A-4O	SV900iP5A-4OL (CLASS)	SV900iP5A-6
110kW (150HP)		SV1100iP5A-4OL	SV1100iP5A-4OL (CLASS)	SV1100iP5A-6
132kW (200HP)		SV1320iP5A-4OL	SV1320iP5A-4OL (CLASS)	
160kW (250HP)		SV1600iP5A-4OL	SV1600iP5A-4OL (CLASS)	
220kW (300HP)		SV2200iP5A-4OL	SV2200iP5A-4OL (CLASS)	
280kW (350HP)		SV2800iP5A-4OL	SV2800iP5A-4OL (CLASS)	
315kW (400HP)		SV3150iP5A-4O	SV3150iP5A-4O (CLASS)	
375kW (500HP)		SV3750iP5A-4O	SV3750iP5A-4O (CLASS)	
450kW (600HP)		SV4500iP5A-4O	SV4500iP5A-4O (CLASS)	

SV

055

Motor Rating	
055	5.5 kW
900	90 kW

iP5A

Series Name

iP5A

2

Input Voltage	
2	200-230V
4	380-480V
6	525-600V

NE

N:	No Keypad
O:	UL Open Type
E:	UL Enclosed Type 1
L:	Built-in DC Reactor
(15-90kW: Option / 110-280kW: Standard)	


(CLASS)

Classification

SV055iP5A-2NE

INPUT 200-230 V 3 Phase
25A 50/60HZ

OUTPUT 0-Input V 3 Phase
24A 0.01-120HZ
9.1KVA, Enclosed Type 1



90204000408

LS Industrial Systems Co., Ltd. Made in Korea

- ← Model Number
- ← Input Rating
- ← Output Rating
- ← Protection Degree
- ← Bar Cord
- ← Serial Number

Marine Approved Drives needs additional ordering.

Standard Specifications

■ 200~230V Class (0.75~30kW / 1~40HP)

Model Number (SV □□□ iP5A-2)		008	015	022	037	055	075	110	150	185	220	300		
Capacity [kVA] ^{Note1)}		1.9	3.0	4.6	6.1	9.1	12.2	17.5	22.9	28.2	33.5	43.8		
Fan or pump load	Motor rating ^{Note2)}	(HP)	1	2	3	5	7.5	10	15	20	25	30	40	
		(kW)	0.75	1.5	2.2	3.7	5.5	7.5	11	15	18.5	22	30	
	Current [A]	5	8	12	16	24	32	46	60	74	88	115		
(110% over current)		110% 1 Minute (Normal Duty)												
Output ratings	General load	Motor rating	(HP)	0.5	1	2	3	5	7.5	10	15	20	25	30
			(kW)	0.4	0.75	1.5	2.2	3.7	5.5	7.5	11	15	18.5	22
	Current [A]	2.5	5	8	12	17	23	33	44	54	68	84		
	(150% over current)	150% 1 Minute (Heavy Duty)												
Frequency		0.01~120 Hz												
Voltage		200~230V ^{Note3)}												
Input ratings	Voltage	3Ø200~230V (-15%~+10%)												
	Frequency	50/60 Hz (± 5%)												
Protection degree		IP20 / UL Type1									IP00 / UL Open ^{Note4)}			
Weight [kg (lbs.)]		4.1(9.0)	4.2(9.3)	4.2(9.3)	4.9(10.8)	4.9(10.8)	6(13.2)	6(13.2)	13(28.7)	13.5(29.8)	20(44.1)	20(44.1)		

■ 380~480V Class (0.75~90kW / 1~125HP)

Model Number (SV □□□ iP5A-4)		008	015	022	037	055	075	110	150	185	220	300	370	450	550	750	900		
Capacity [kVA] ^{Note1)}		2.0	3.2	4.8	6.4	9.6	12.7	19.1	23.9	31.1	35.9	48.6	59.8	72.5	87.6	121.1	145.8		
Fan or pump load	Motor rating ^{Note2)}	(HP)	1	2	3	5	7.5	10	15	20	25	30	40	50	60	75	100	125	
		(kW)	0.75	1.5	2.2	3.7	5.5	7.5	11	15	18.5	22	30	37	45	55	75	90	
	Current [A]	2.5	4	6	8	12	16	24	30	39	45	61	75	91	110	152	183		
(110% over current)		110% 1 Minute (Normal Duty)																	
Output ratings	General load	Motor rating	(HP)	0.5	1	2	3	5	7.5	10	15	20	25	30	40	50	60	75	100
			(kW)	0.4	0.75	1.5	2.2	3.7	5.5	7.5	11	15	18.5	22	30	37	45	55	75
	Current [A]	1.25	2.5	4	6	8.8	12	16	22/24	28/30	34/39	44/45	-	-	-	-	-		
	(150% over current)	150% 1 Minute (Heavy Duty)																	
Frequency		0.01~120 Hz																	
Voltage		380~480V ^{Note3)}																	
Input ratings	Voltage	3Ø380~480V (-15%~+10%)																	
	Frequency	50/60 Hz (± 5%)																	
Protection degree		IP20 / UL Type1									IP00 / UL Open ^{Note4)}								
Weight [kg (lbs.)]	Standard Type	4.1(9.0)	4.2(9.3)	4.2(9.3)	4.9(10.8)	4.9(10.8)	6(13.2)	6(13.2)	12.5(27.6)	13(28.7)	20(44.1)	20(44.1)	27(59.5)	27(59.5)	29(64)	42(92.6)	43(94.8)		
	Built-in DCL Type	-	-	-	-	-	-	-	19.5(43.9)	19.5(42.9)	26.5(58.3)	26.5(58.3)	39(86)	40(88.2)	42(92.6)	67(147.4)	68(149.9)		

Note 1) Rated capacity (v 3□□V□□) is based on 220V for 200V class and 480V for 400V class.

2) Indicates the maximum applicable capacity when using a 4-Pole LS motor.

3) Maximum output voltage will not exceed the input voltage. An output voltage less than the input voltage may be programmed if necessary.

4) IP20/UL Type1 with optional conduit, it can be modified to UL Type1.

Standard Specifications

■ 380~480V Class (110~450kW / 50~125HP)

Model Number (SV □□□□iP5A-4)			1100	1320	1600	2200	2800	3150	3750	4500	
Capacity [kVA] ^{Note1)}			178	210	259	344	436	488	582	699	
Output ratings	Fan or pump load	Motor rating ^{Note2)}	(HP)	150	200	250	350	400	500	600	700
			(kW)	110	132	160	220	280	315	375	450
		Current [A]	223	264	325	432	547	613	731	877	
	(110% over current)		110% 1 Minute (Normal Duty)								
	General load	Motor rating	(HP)	125	150	200	250	350	400	500	600
			(kW)	90	110	132	160	220	280	315	375
Current [A]		183	223	264	325	432	547	613	731		
(150% over current)		150% 1 Minute (Heavy Duty)									
Frequency			0.01~120 Hz								
Voltage			380~480V ^{Note3)}								
Input ratings	Voltage		3Ø380~480V (-15%~+10%)								
	Frequency		50/60 Hz (± 5%)								
Protection degree			IP00 / UL Open ^{Note4)}								
DCL			Built-in						External Option		
Weight [kg (lbs.)]			101 (222.7)	101 (222.7)	114 (251.3)	200 (441.9)	200 (441.9)	243 (535.7)	380 (837.7)	380 (837.7)	

■ 525~600V Class (5.5~110kW / 7.5~150HP)

Model Number (SV □□□□iP5A-6)			055	075	110	150	185	220	300	370	450	550	750	900	1100		
Capacity [kVA]			9.6	12.7	19.1	23.9	31.1	35.9	48.6	59.8	72.5	87.6	121.1	145.8	178		
Output ratings	Fan or pump load	Motor rating	(HP)	7.5	10	15	20	25	30	40	50	60	75	100	125	150	
			(kW)	5.5	7.5	11	15	18.5	22	30	37	45	55	75	90	110	
		Current [A]	9	12	17	23	27	34	43	55	64	80	104	128	150		
	(110% over current)		110% 1Minute (Normal Duty)														
	General load	Motor rating	(HP)	5.5	7.5	10	15	20	25	30	40	50	60	75	100	125	
			(kW)	3.7	5.5	7.5	11	15	18.5	22	30	37	45	55	75	90	
Current [A]		6.1	9	12	17	23	27	34	43	55	64	80	104	128			
(150% over current)		150% 1 Minute (Heavy Duty)															
Frequency			0.01~120 Hz														
Voltage			525 ~600V ^{Note3)}														
Input ratings	Voltage		3f 525~600V (-15% ~ +10 %)														
	Frequency		50/60 Hz (± 5 %)														
Protection degree			IP20 / UL Type1						IP00 / UL Open ^{Note4)}								
Weight [kg (lbs.)]			6.5 (14.4)	7.0 (15.5)	7.0 (15.5)	11.7 (25.8)	11.7 (25.8)	18.9 (41.7)	18.9 (41.7)	32 (70.65)	32 (70.65)	32 (70.65)	46 (101.5)	46 (101.5)	101 (223)		

^{Note 1)} Rated capacity (v 3 X V X I) is based on 220V for 200V class and 480V for 400V class.

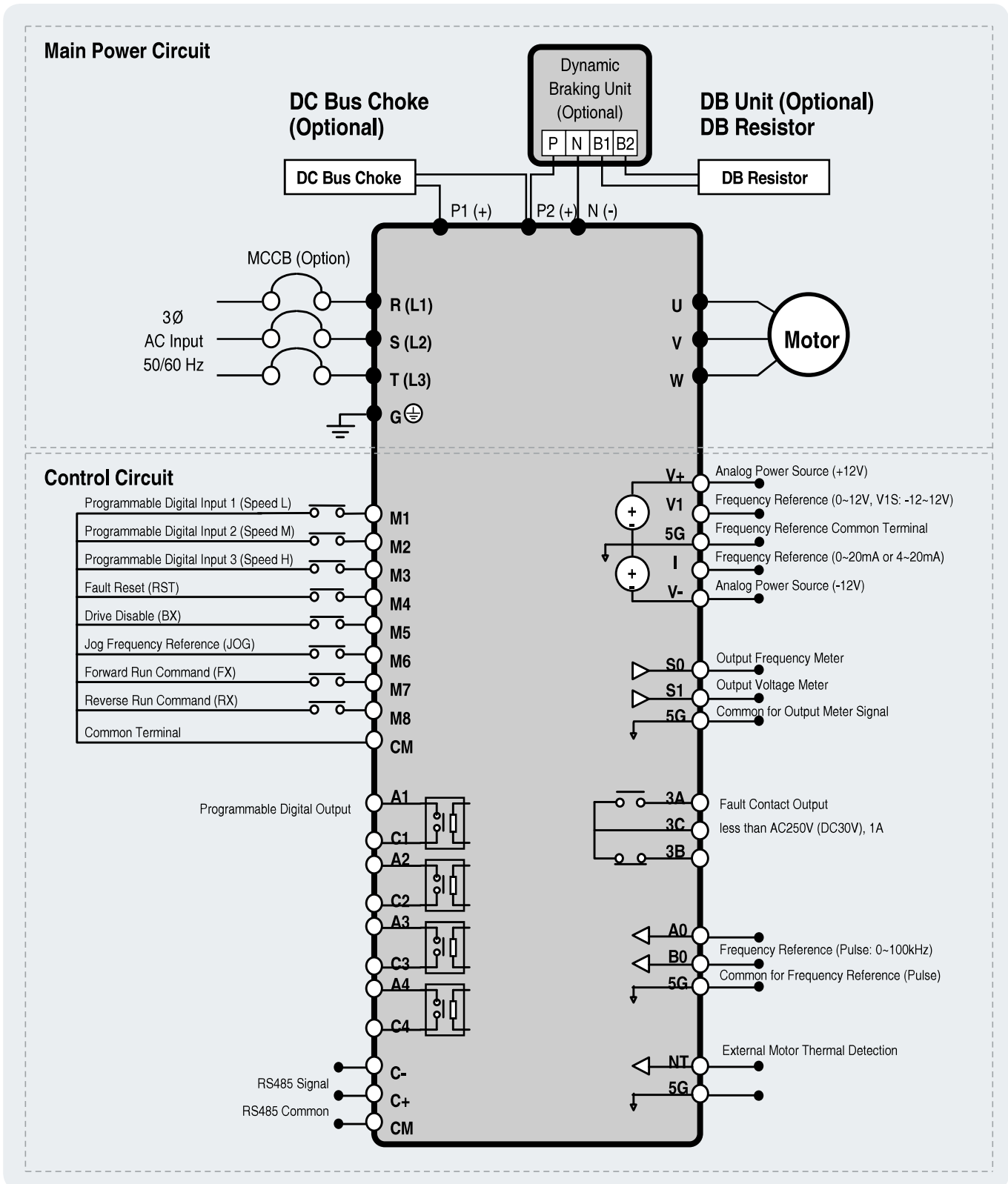
²⁾ Indicates the maximum applicable capacity when using a 4-Pole LS motor.

³⁾ Maximum output voltage will not exceed the input voltage. An output voltage less than the input voltage may be programmed if necessary.

⁴⁾ IP20/UL Type1 with optional conduit, it can be modified to UL Type1.

Wiring

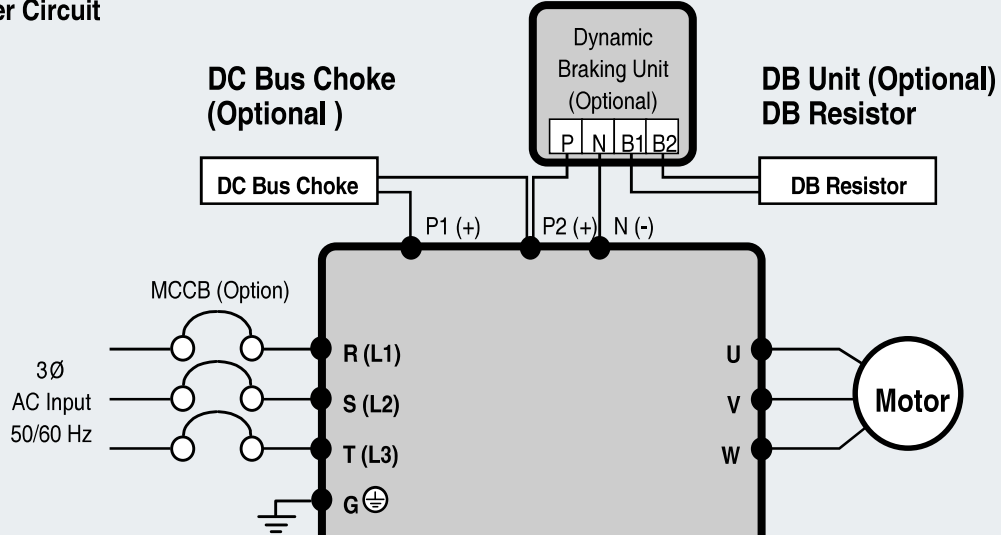
■ ■ For 0.75~30kW (1~40HP)



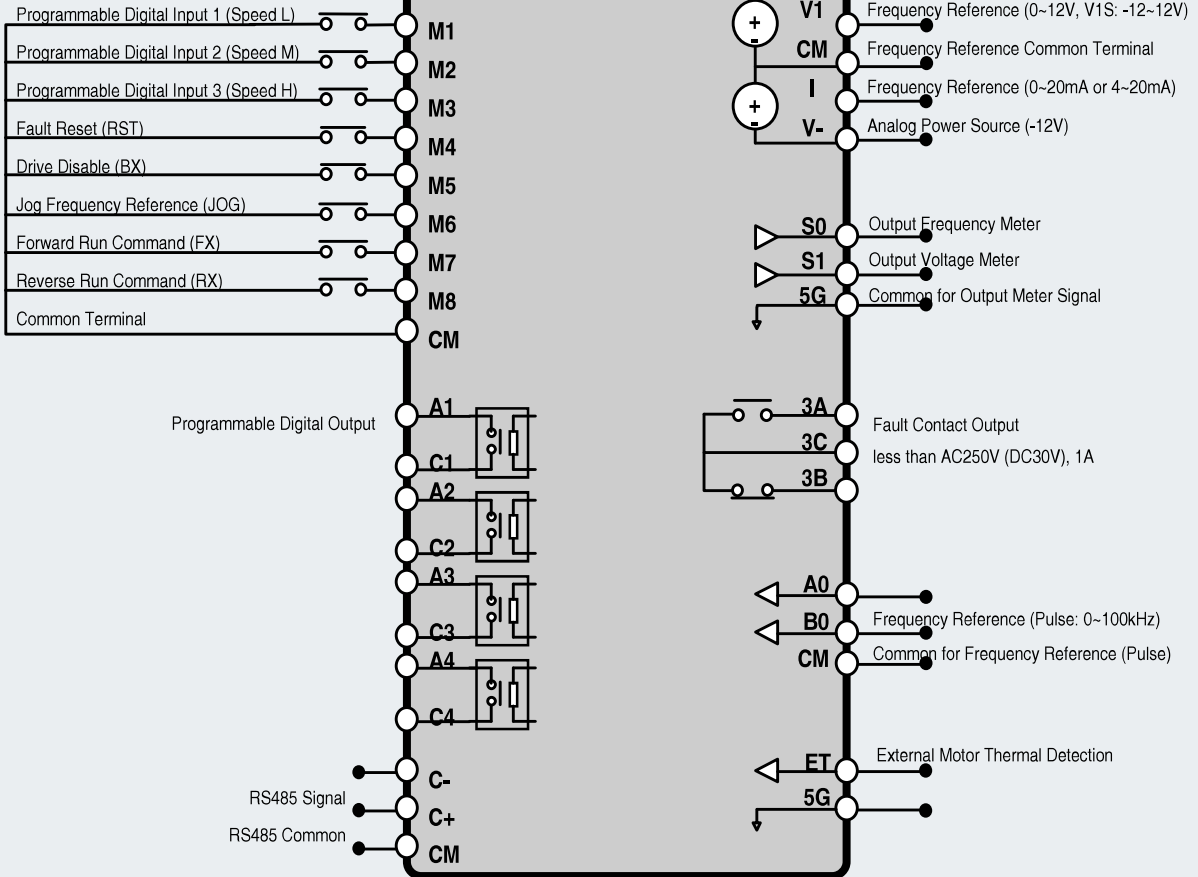
- Note 1) 5G is Common Ground for Analog Input / Output. (Only applied to 0.75 ~ 30kW products)
- 2) Use terminal V1 for V1, V1S (0~12V, -12~12V) input.
- 3) To add DC reactor, Remove DC Bus Choke and connect to P1(+), P2(+).
- 4) SA, SB terminal is provided with 600V class model only.

■ For 37~90kW (50~125HP) / 315~450kW (400~600HP)

Main Power Circuit

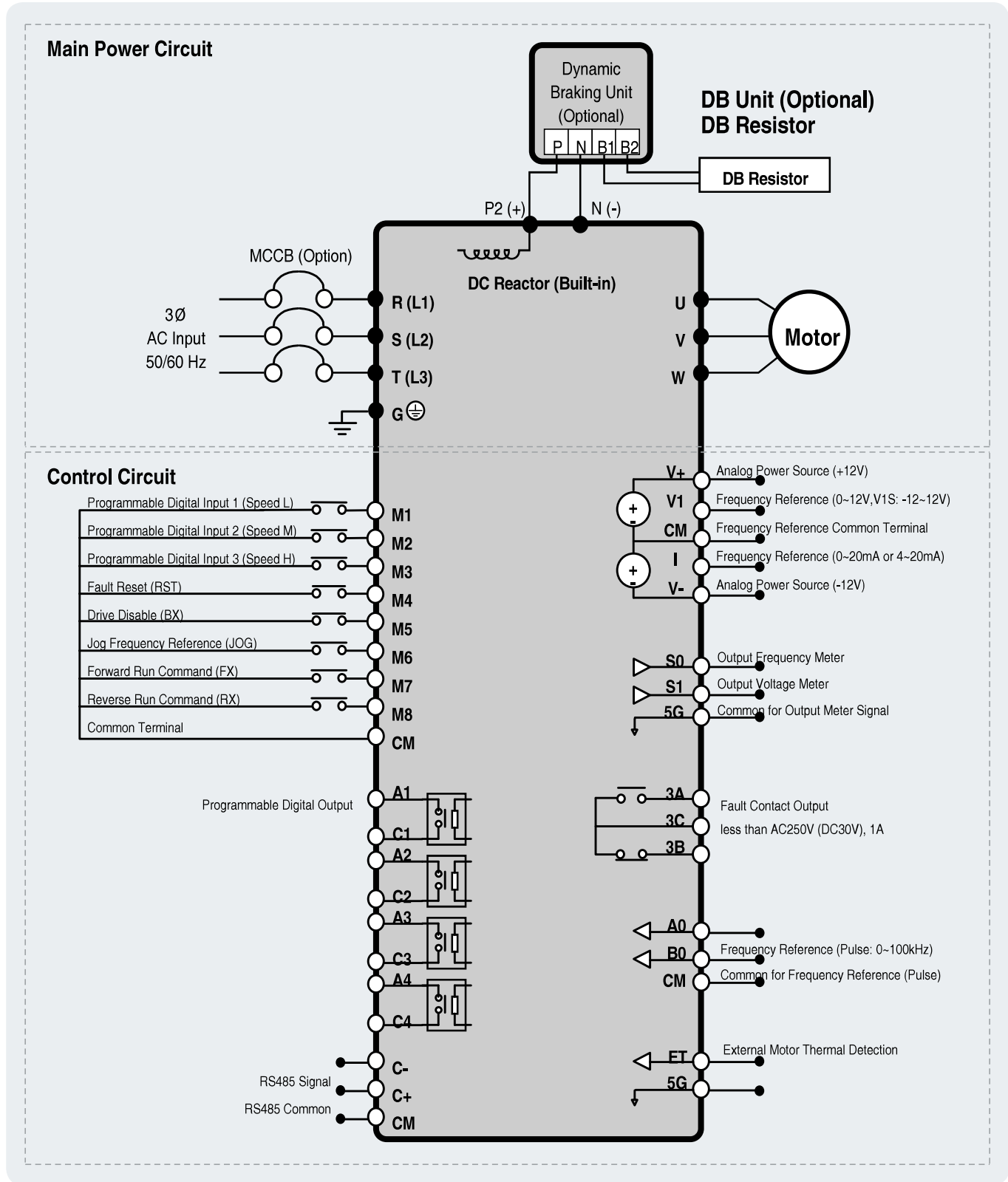


Control Circuit



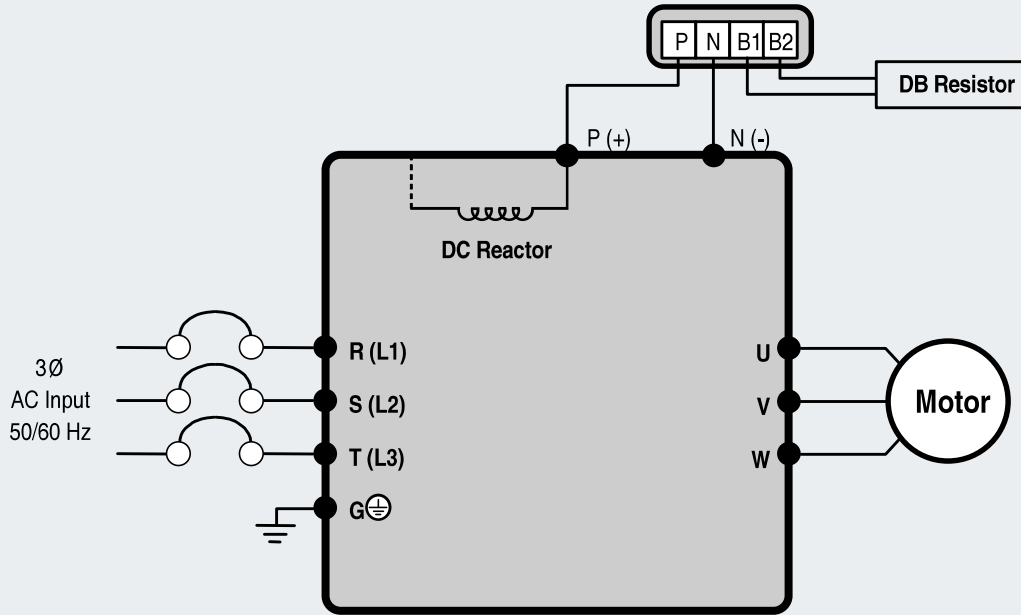
- Note 1) 5G is Common Ground for Analog Meter Output (S0, S1) and External motor thermal detection (ET). CM is Common Ground for Analog input.
 2) Use terminal V1 for V1, V1S (0~12V, -12~12V) input.
 3) To add DC reactor, remove DC Bus Choke and connect to P1(+), P2(+).
 4) SA, SB terminal is provided with 600V class model only.

■ For 110~280kW (150~350HP)

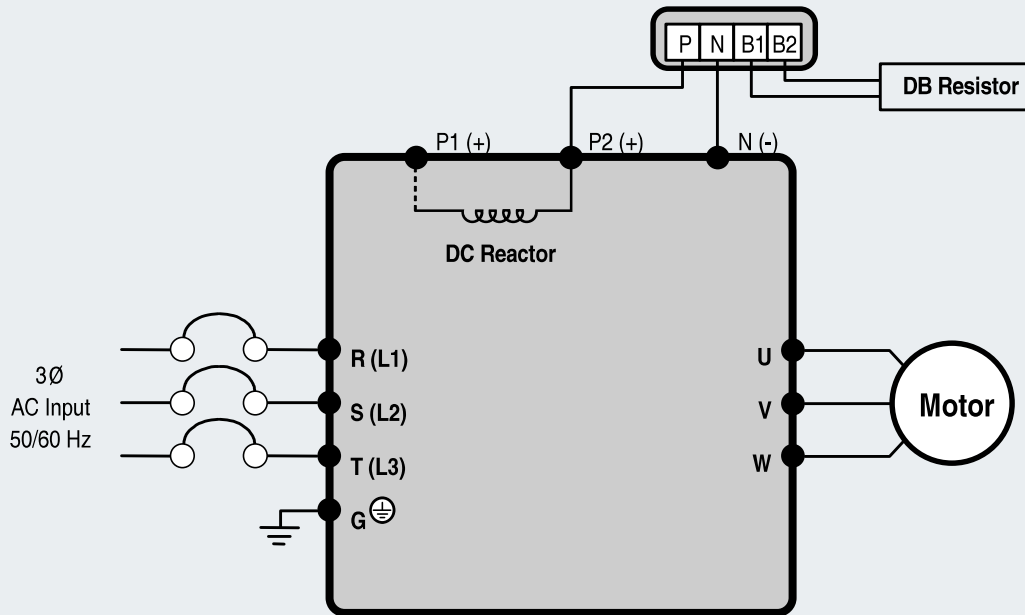


Note 1) 5G is Common Ground for Analog Meter Output (S0, S1) and External motor thermal detection (ET). CM is Common Ground for Analog input.
 2) Use terminal V1 for V1, V1S (0~12V, -12~12V) input.
 3) DC Reactor is built basically in the inverters for 110~280kW(150~350HP)
 4) SA, SB terminal is provided with 600V class model only.

■ For 15~30kW (20~40HP) Built-in DCL Type



■ For 37~90kW (50~125HP) Built-in DCL Type



Note) P1 (-) is not provided for wiring.